



■ Features :

- 3 pole AC inlet IEC320-C14
- Built-in active PFC function, PF>0.95
- Protections: Short circuit / Overload / Over voltage / Over temperature
- High power density 5w/in³
- Fully enclosed plastic case
- Approvals: UL / CUL / CB
- No load power consumption<0.5W
- Meet EISA 2007(Energy Independence and Security Act)
- ZCS/ZVS technology to reduce power dissipation
- 2 years warranty

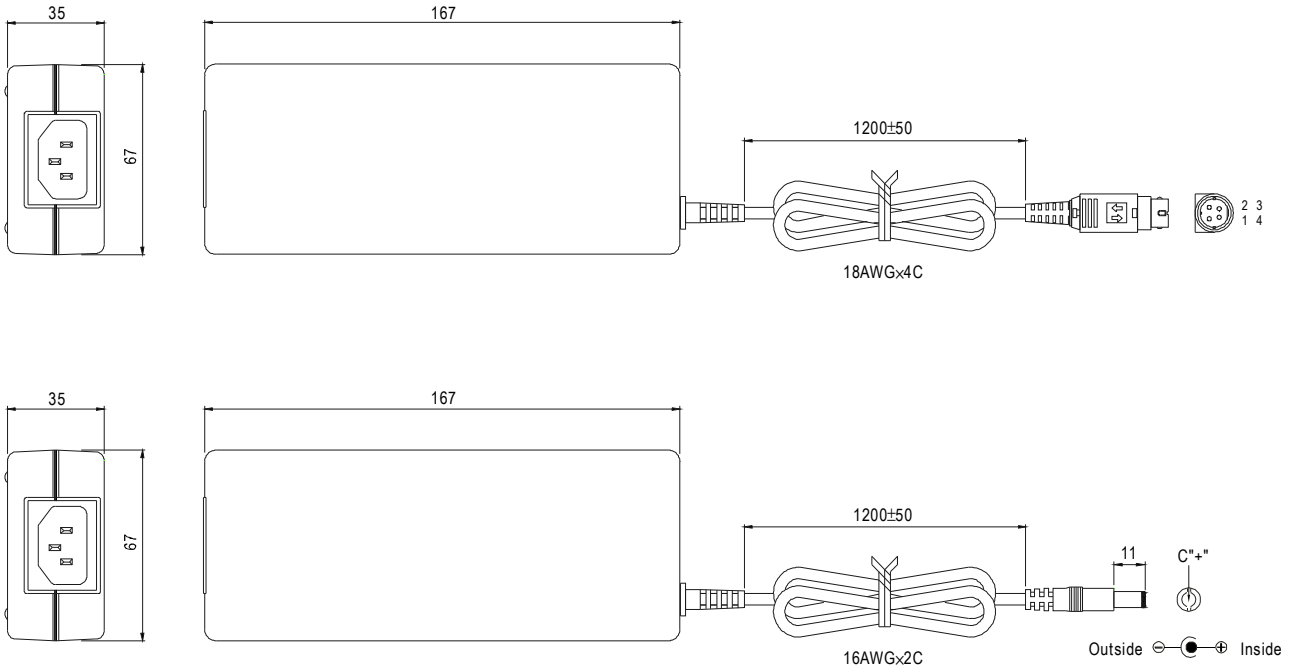


SPECIFICATION

| MODEL | AS-120P-12 | AS-120P-15 | AS-120P-20 | AS-120P-24 | AS-120P-48 | |
|---------------------------------------|---|---|-------------|-------------|-------------|--------------|
| OUTPUT | ORDER NO. | AS120P12R7B | AS120P15R7B | AS120P20P1M | AS120P24P1M | AS120P48P1M |
| | DC VOLTAGE <small>Note.2</small> | 12V | 15V | 20V | 24V | 48V |
| | RATED CURRENT | 8.4A | 6.7A | 6A | 5A | 2.5A |
| | CURRENT RANGE | 0~ 8.4A | 0~ 6.7A | 0~ 6A | 0~ 5A | 0~ 2.5A |
| | RATED POWER | 100W | 100W | 120W | 120W | 120W |
| | RIPPLE & NOISE (max.) <small>Note.3</small> | 100mVp-p | 100mVp-p | 200mVp-p | 200mVp-p | 240mVp-p |
| | VOLTAGE TOLERANCE <small>Note.4</small> | ±4.0% | ±4.0% | ±3.0% | ±2.0% | ±2.0% |
| | LINE REGULATION <small>Note.5</small> | ±1.0% | ±1.0% | ±1.0% | ±1.0% | ±1.0% |
| | LOAD REGULATION <small>Note.6</small> | ±3.5% | ±3.0% | ±2.5% | ±2.0% | ±2.0% |
| | SETUP, RISE TIME | 450ms, 80ms at full load | | | | |
| HOLD UP TIME (Typ.) | 50ms/230VAC 16ms/115VAC at full load | | | | | |
| INPUT | VOLTAGE RANGE | 90 ~ 264VAC 127 ~ 370VDC | | | | |
| | FREQUENCY RANGE | 47 ~ 63Hz | | | | |
| | POWER FACTOR (Typ.) | PF ≥ 0.95/230VAC PF ≥ 0.98/115VAC at full load | | | | |
| | EFFICIENCY (Typ.) | 86% | 87.5% | 89% | 89% | 89% |
| | AC CURRENT (Typ.) | 1.4A/115VAC 0.7A/230VAC | | | | |
| | INRUSH CURRENT (Typ.) | 120A/230VAC | | | | |
| LEAKAGE CURRENT (max.) | <1mA / 240VAC | | | | | |
| PROTECTION | OVERLOAD | 105 ~ 135% rated output power Protection type : Hiccup mode, recovers automatically after fault condition is removed | | | | |
| | OVER VOLTAGE | 14 ~ 16.8V | 17 ~ 21V | 22.5 ~ 28V | 27 ~ 33.6V | 53.3 ~ 67.2V |
| | OVER TEMPERATURE | 90°C ±10°C (RTH2) detect on heatsink of power transistor Protection type : Shut down o/p voltage, re-power on to recover | | | | |
| ENVIRONMENT | WORKING TEMP. | 0 ~ + 50°C (Refer to "Derating Curve") | | | | |
| | WORKING HUMIDITY | 20% ~ 90% RH non-condensing | | | | |
| | STORAGE TEMP., HUMIDITY | -20 ~ +85°C, 10 ~ 95% RH | | | | |
| | TEMP. COEFFICIENT | ±0.03% / °C (0 ~ 50°C) | | | | |
| | VIBRATION | 10 ~ 500Hz, 2G 3AXES 10min./1cycle, period for 60min. each along X, Y, Z axes | | | | |
| SAFETY & EMC <small>(Note. 7)</small> | SAFETY STANDARDS | UL60950-1 approved | | | | |
| | WITHSTAND VOLTAGE | I/P-O/P:4.25KVDC | | | | |
| | ISOLATION RESISTANCE | I/P-O/P:100M Ohms / 25°C / 70% RH | | | | |
| OTHERS | LIFE | Average life expectancy of 6 years (12 hours / day, 70% load, 115VAC) | | | | |
| | MTBF | 308.9K hrs min. MIL-HDBK-217F (25°C) | | | | |
| | DIMENSION | 167*67*35mm (L*W*H) | | | | |
| | PACKING | 0.52Kg; 30pcs/16.6Kg/1.1CUFT | | | | |
| CONNECTOR | PLUG | Standard type R7B,P1M: 2.5φ * 5.5φ * 11mm, center positive for stock ; Other type available by customer requested | | | | |
| | CABLE | Standard type 120cm of SPT-1, 18Awg*4c for stock ; Other type available by customer requested | | | | |
| NOTE | <p>1. All parameters are specified at 230VAC input, rated load, 25°C 70% RH. Ambient.</p> <p>2. DC voltage: The output voltage set at point measure by plug terminal & 50% load.</p> <p>3. Ripple & noise are measured at 20MHz by using a 12" twisted pair terminated with a 0.1uf & 47uf capacitor.</p> <p>4. Tolerance: includes set up tolerance, line regulation, load regulation.</p> <p>5. Line regulation is measured from low line to high line at rated load.</p> <p>6. Load regulation is measured from 0% to 100% rated load.</p> <p>7. The power supply is considered as an independent unit, but the final equipment still need to re-confirm that the whole system complies with the EMC directives.</p> | | | | | |

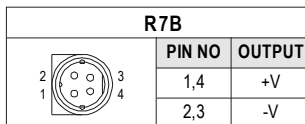
Mechanical Specification

Case No.947A Unit:mm

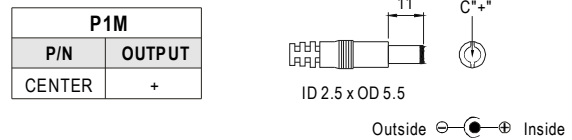


Plug Assignment

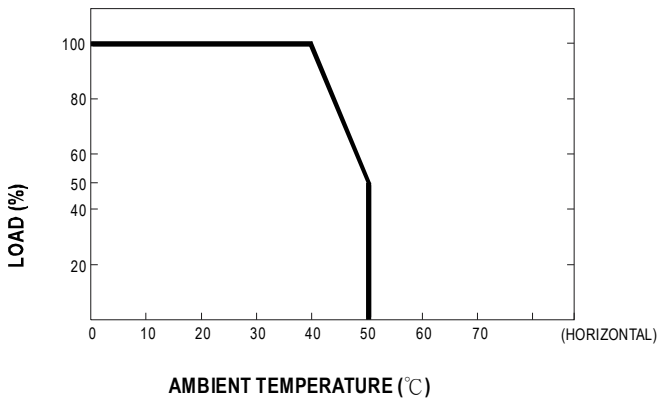
Standard plug (For 12V, 15V only)



Standard plug (For 20V, 24V, 48V only)



Derating Curve



Static Characteristics

